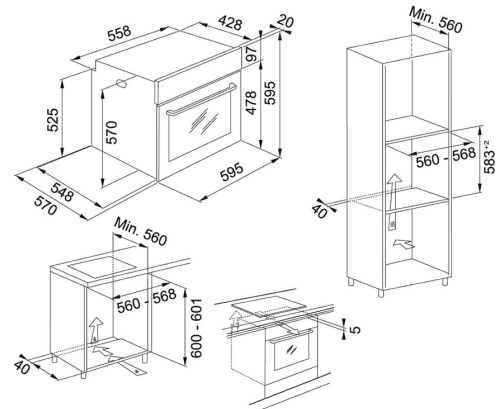


Stainless Steel | 116.0609.445

FAMILY : Ovens | SERIE : Linear | FINISH : Stainless Steel | MODEL : FSL 82 H XS



TECHNICAL DATA

Type	Multifunction Oven
Energy Class	A
Number of functions	8
Cavity capacity	71 liters
Programmer	Mechanical
Type of Controls	MECHANICAL
Display	none
Timer	Minute minder
Type of knobs	Protruding
Voltage	220-240V
Standard Equipement	1-TRAY,-1-DEEP-TRAY,-2-GRID
Glasses	2